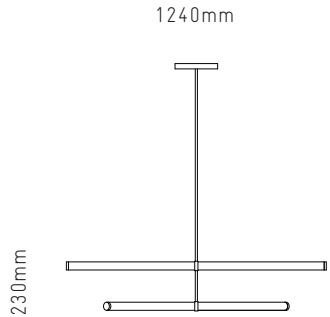


## TURN PARALLEL PENDANT 02

A minimalist, elegant pendant light in brushed and patinated metals adds an architectural sophistication to a space.



---

### DESIGNERS

Rebecca Snelling

### LAMP SPECIFICATIONS

10 W LED / Warm White 3000K / 800 Lumens / Dimmable  
LED 24V transformer supplied

### PRODUCT TYPE

Pendant

### DIMENSIONS

H 230mm x W 1240mm x D 38mm  
Excludes Rod  
Ceiling Rose 110mm

Up to 1 metre rod inclusive in price  
Over 1 metre rod additional \$75

---

### PRODUCT CARE

#### BRASS

- Use soft cloth or feather duster to remove dust

#### GLASS

- Use a soft cloth or feather duster to remove dust

### INSTALLATION AND WIRING

- The Chandelier must be installed by a qualified electrician exclusively using the components provided
- The ceiling rose cap conceals the wiring and transformer. Fix to the ceiling with screws provided
- Compatible with leading edge and DALI dimming systems
- All components are compliant with New Zealand and Australian safety standards

---

### PRECAUTIONS

- Keep out of direct heat and sunlight

### WARRANTY AND EXCHANGE POLICY

Refer to website: [douglasandbec.com](http://douglasandbec.com)