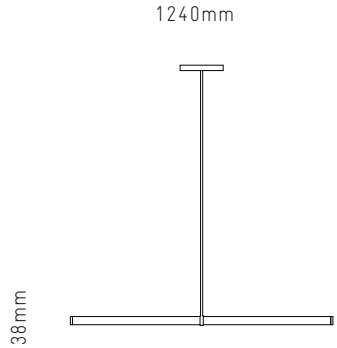


TURN PARALLEL PENDANT 01

A minimalist, elegant pendant light in brushed and patinated metals adds an architectural sophistication to a space.



DESIGNERS

Rebecca Snelling

LAMP SPECIFICATIONS

10 W LED / Warm White 3000K / 800 Lumens / Dimmable
LED 24V transformer supplied

PRODUCT TYPE

Pendant

DIMENSIONS

H Custom x W 1240mm x D 38mm
Excludes Rod
Ceiling Rose 110mm

Up to 1 metre rod inclusive in price
Over 1 metre rod additional \$75

PRODUCT CARE

BRASS

- Use soft cloth or feather duster to remove dust

GLASS

- Use a soft cloth or feather duster to remove dust

INSTALLATION AND WIRING

- The Chandelier must be installed by a qualified electrician exclusively using the components provided
- The ceiling rose cap conceals the wiring and transformer. Fix to the ceiling with screws provided
- Compatible with leading edge and DALI dimming systems
- All components are compliant with New Zealand and Australian safety standards

PRECAUTIONS

- Keep out of direct heat and sunlight

WARRANTY AND EXCHANGE POLICY

Refer to website: douglasandbec.com