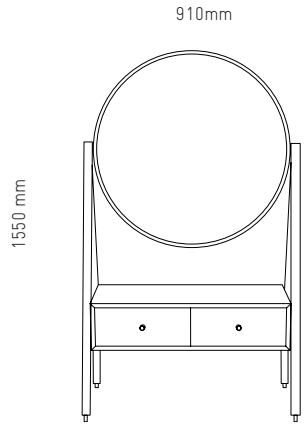


## DRESSING TABLE

The centrepiece of the Bedroom collection, our Dressing Table was inspired by Bec's prized Queen Anne dressing table. Reinterpreted in minimalist form, it features a beautifully hand-crafted steambent mirror frame, concealed jewellery drawer and hand-crafted brass pulls and feet. A Bronze Award winner at the Best Design Awards 2014.



---

### DESIGNERS

Douglas Snelling & Rebecca Dowie

### MATERIALS

American Ash / American Oak  
Brass (Natural)

### PRODUCT TYPE

Dressing Table

### DIMENSIONS

H 1550mm x W 910mm x D 500mm  
Mirror Ø 820mm

---

### PRODUCT CARE

#### TIMBER

- Our timber furniture is sealed with a protective lacquer
- Removal of any dust or dirt with a soft cloth should be the only maintenance required
- Avoid use of any abrasive cleaning products, oils and other polishes

#### BRASS

- Natural Brass will develop a patina over time
- Use Brasso with a soft cloth to restore it's shine
- No polishing products are recommended

---

### PRECAUTIONS

- Keep out of direct heat and sunlight
- Take caution placing hot objects on the surface

### WARRANTY AND EXCHANGE POLICY

Refer to website: [douglasandbec.co.nz](http://douglasandbec.co.nz)